



#### ■ FEATURES:

- Own global certification
- Full range AC input for international use
- No-load consumption<0.21W
- Efficiency Level
- Protection: SCP/OCP/OVP
- Full protective plastic housing
- Temp.: -10~+50°C

#### ■ APPLICATIONS:

- Consumer Electronics
- Communication Equipments
- Office Equipments
- Industrial Equipments
- Security Equipments

#### ■ DESCRIPTION:

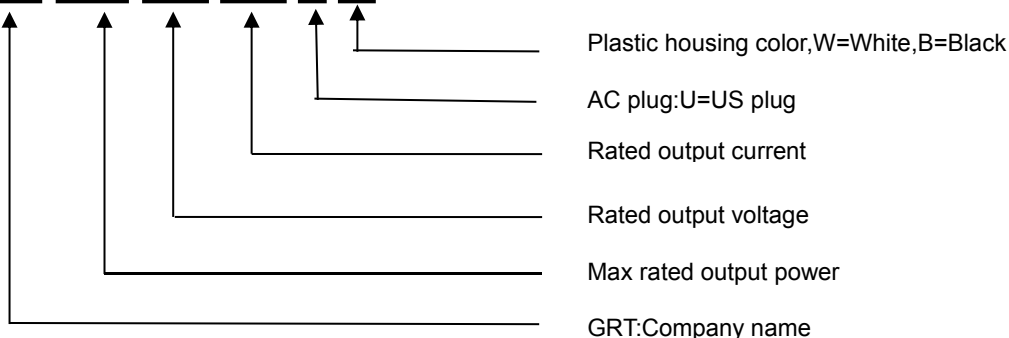
GRT-A72 series are the wall mounted type, to support 72W max power, which with smart size, green and single output. The item is Class II, with fixed AC plug like as AU, EU, UK, CN, KR, US and more, suitable for application with input voltage 90-264VAC, output voltage from 12Vdc to 56Vdc. Can meet the demands of all kinds of consumer electronics devices and pass International safety certifications.

GRT-A72 series with 91% efficiency, no-load power consumption below 0.1W, fully compliance with EU ERP and Code of Conduct (CoC) Version 5.

The most important feature of GRT-A72 series is that can save power consumption when standby mode. The plastic housing used for GRT-A72 series is compliance with UL94 V-0. It provides double insulation protection against electric shock.

■ Model number

**GRT-A72-240 300 U W**



SPECTION:

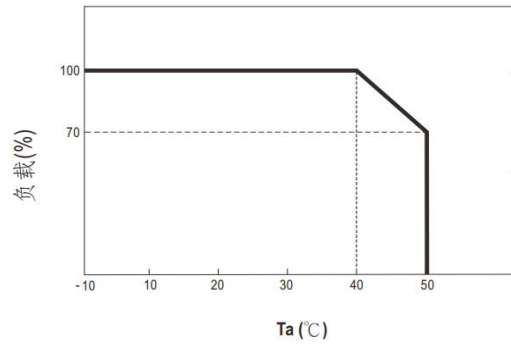
Output	Model ①	GRT-A72-120600CW	GRT-A72-240300CW	GRT-A72-480CW	GRT-A72-560128CW
	DC Voltage ③	12V	24V	48V	56V
	Rated Current	6.0A	3.0A	1.5A	1.28A
	Current range	0-6.0A	0-3.0A	0-1.5A	0-1.28A
	Rated power	72W	72W	72W	72W
	Ripple & Noise (max) ④	200mVp-p	200mVp-p	200mVp-p	200mVp-p
	Volt.accuracy ⑤	±5.0%	±5.0%	±5.0%	±3.0%
	Line Regulation ⑥	±1.0%	±1.0%	±1.0%	±1.0%
	Load Regulation ⑦	±5.0%	±3.0%	±3.0%	±2.0%
	Turn on/Rise/Hold on time	2000ms, 50ms, 10ms /230VAC    3000ms, 50ms, 10ms /115VAC (@ full load)			
Input	Voltage range	90-264VAC			
	Frequency range	47 ~ 63Hz			
	Efficiency (Typ.)	90%	90%	91%	91%
	AC current	1.3A / 115VAC    0.65A / 230VAC			
	Inrush current (max)	Cold start 75A / 230VAC			
Surge current(max)	0.25mA / 240VAC				
Protection	Over-load	120%~180% Rated output power The power supply shall be protected when output in over-load			
	Over-voltage	110%~140% Rated output voltage The power supply will be restarted recovery when power off			
Environment	Working Temp.	-10 ~ +50℃ ( refers to deduction curve)			
	Working Humidity	20 ~ 90% RH,non-condensing			
	Temp/humidity Storage	-20 ~ +85℃, 10 ~ 95% RH,non-condensing			
	Temp. coefficient	±0.03% /℃ (0 ~ 40℃)			
	Vibration	10 ~ 500Hz, 2G 10m/circle, X、Y、Z axis,60m per each			

Remark:The information just for reference,the specific data shall be finally confirmed by both parties

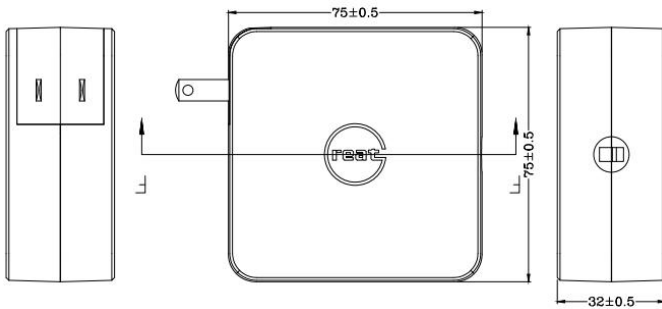
Safety EMC	Safety Standard	GB4943 , GB4706 , IEC62368-1,EN62368-1UL62368-1,KC60950,EN61558																							
	Withstand	I/P-O/P: 3000VAC																							
	Insulation	I/P-O/P:10M Ohms / 500VDC / 25℃ / 70% RH																							
	EMC ⑧	<b>Parameter</b>	<b>Standard</b>	<b>Test Level / Note</b>																					
	Conducted emission	GB17625.1,EN55032,		Class B																					
	Radiated emission	GB/T-9254, EN55035, GB4343, FCC Part 15,		Class B																					
Other	Lifetime	3years : 100% load at 40℃, 12 hours per day																							
	MTBF	≥50000hrs min. MIL-HDBK-217F (25℃)																							
	Dimension	75*75*32 mm (L*W*H)																							
Connector	AC inlet	Fixed AC plug (2~3pins),like as EU, UK,US,AU,CN,KR,JP ect																							
	Power cord (O/P)	According to clients' requirements																							
Remarks	1. I Mode series,details as below list:																								
	<table border="1"> <thead> <tr> <th rowspan="2">Part Number</th> <th rowspan="2">Input</th> <th colspan="3">Output</th> </tr> <tr> <th>Voltage (V )</th> <th>Current (A)</th> <th>Power (W) max</th> </tr> </thead> <tbody> <tr> <td rowspan="4">GRT-A72-XXXYYYYU#</td> <td rowspan="4">100-240V ~/1.5A Max/50-60Hz</td> <td>12-23.9</td> <td>0.10-6.0</td> <td>72</td> </tr> <tr> <td>24-56</td> <td>0.10-3.0</td> <td>72</td> </tr> <tr> <td></td> <td></td> <td></td> </tr> <tr> <td></td> <td></td> <td></td> </tr> </tbody> </table> <p>Notes:            XXX:Three digits number which represents output voltage from 12.Vdc to 56.0Vdc, minimum rising step is 0.1V.            (e.g:120=12.0V,240=24.0V,560=56.0V)            YYY:Three digits number which represents output current from 0.1A to 6.0A, minimum rising step is 0.01A            (e.g.: 001=0.1A,600=6.0A. )            U: represents AC plug,E=EU plug, B=UK plug,U=US plug ,A=AU plug ,C=CN plug            #:the symbol represents plastic housing color, W=white, B=Black</p>				Part Number	Input	Output			Voltage (V )	Current (A)	Power (W) max	GRT-A72-XXXYYYYU#	100-240V ~/1.5A Max/50-60Hz	12-23.9	0.10-6.0	72	24-56	0.10-3.0	72					
Part Number	Input	Output																							
		Voltage (V )	Current (A)	Power (W) max																					
GRT-A72-XXXYYYYU#	100-240V ~/1.5A Max/50-60Hz	12-23.9	0.10-6.0	72																					
		24-56	0.10-3.0	72																					
2. If without special requirements, all specification parameters are tested under specified conditions (with input 230VAC, rated load at 25℃ 70%RH)																									
3. DC voltage test: test at AC socket at 50% load																									
4. Ripple & noise test :use one #12 UTP, the oscilloscope set to 20MHZ bandwidth limit,parallel with0.1uF and 10uF capacitors																									
5. Accuracy: Includes setting error,rate of linear regulation / load regulation																									
6.Linear Regulation: Test from low voltage to high voltage at rated load																									
7. Load regulation:test the rated load from 10% to 100%																									
8. The item has passed EMC test																									

Remark:The information just for reference,the specific data shall be finally confirmed by both parties

■ DEDUCTION CURVE



■ DIMENSION (unit:mm)



■ OUTPUT DC CONNECTOR

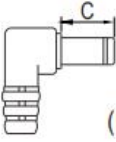
◎ Common DC jack (set as standard if without special requirements):

	<b>Pin definition</b>
	<p>外側 ⊖ ⊕ 内側</p>

◎ Optional DC jacks:

Tuning Fork Style		A	B	C		
		OD	ID	L		
	<p>(Straight) (Straight)</p>	5.5	2.1	9.5		
		5.5	2.1	11.0		
	<p>(Right-angled)</p>	5.5	2.5	9.5		
		5.5	2.5	11.0		
		5.5	2.1	9.5		
		5.5	2.1	11.0		
		<b>Barrel Style</b>		A	B	C
				OD	ID	L
<p>(Straight)</p>		5.5	2.1	9.5		
		5.5	2.1	11.0		
		5.5	2.5	9.5		

Remark: The information just for reference, the specific data shall be finally confirmed by both parties

	 (Right-angled)	<b>5.5</b>	<b>2.5</b>	<b>11.0</b>
		<b>5.5</b>	<b>2.1</b>	<b>9.5</b>
		<b>5.5</b>	<b>2.1</b>	<b>11.0</b>
		<b>5.5</b>	<b>2.5</b>	<b>9.5</b>
		<b>5.5</b>	<b>2.5</b>	<b>11.0</b>

Remark: The information just for reference, the specific data shall be finally confirmed by both parties